

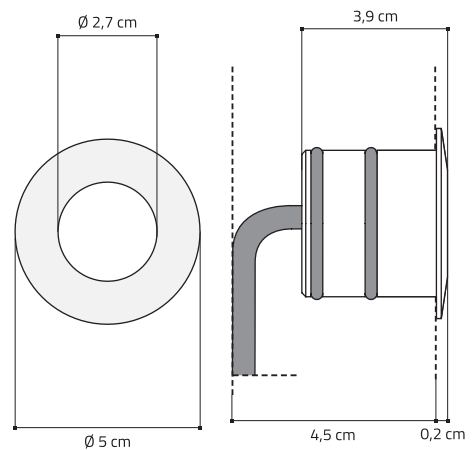
# Roofingreen®

NATURE LED

<b>Size mm</b>	530x530x50	<b>Insulation type</b>	extruded cross-linked polyethylene (XPE) 30-50 kg/m <sup>3</sup> density
<b>Weight</b>	10/12,4 Kg/m <sup>2</sup>	<b>Insulation thickness</b>	10/20/50/100 mm
<b>Total thickness</b> <i>(20 mm raising)</i>	from 40 mm to 230 mm	<b>Structural support</b>	1500 N



<b>Type</b>	Walk-on spotlight	<b>Materiali</b>	stainless steel AISI 316L
<b>Light</b>	direct - indirect	<b>Bulbs</b>	12V - 1,5W - 3000°K
<b>IP Grade</b>	IP67	<b>Net weight</b>	0,30 Kg



## Ground Care

layer to protect and support the waterproof layer, made from recycled polyethylene foam, closed cell system. size 300x300 mm, thickness 5 mm, weight 105 Kg/m<sup>3</sup>



### B50

from 50 mm to 70 mm



### B100

from 100 mm to 130 mm



### B180

from 180 mm to 210 mm